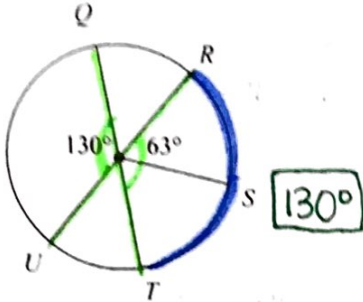


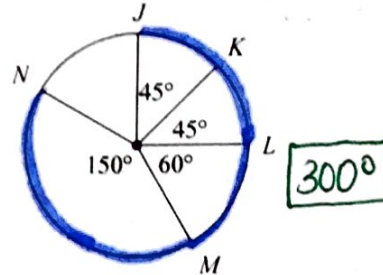
Unit 4 Quiz Review

Find the measure of the arc or central angle indicated. Assume that lines which appear to be diameters are actual diameters.

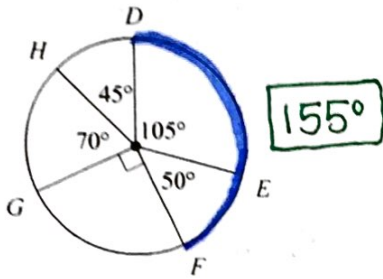
1)  $m\widehat{RT}$



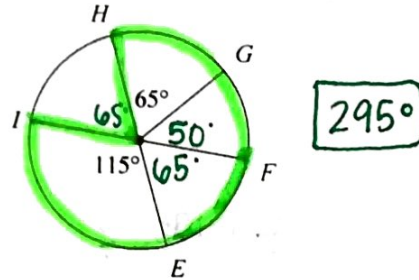
2)  $m\widehat{JLN}$



3)  $m\widehat{DF}$

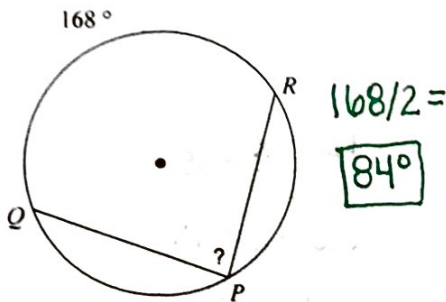


4)  $m\widehat{HFI}$

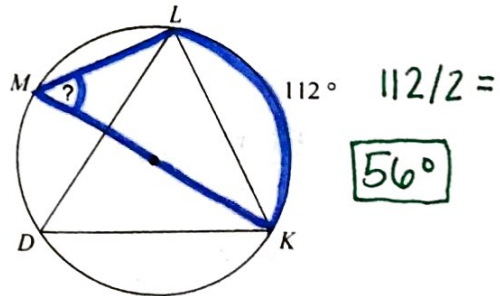


Find the measure of the arc or angle indicated.

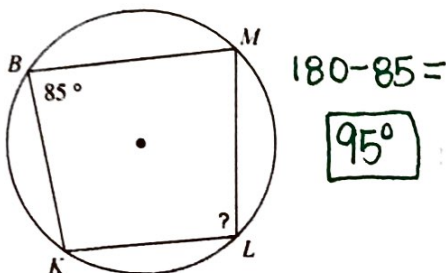
5)



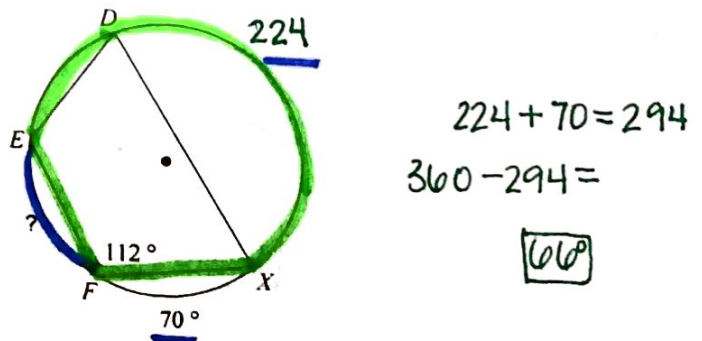
6)

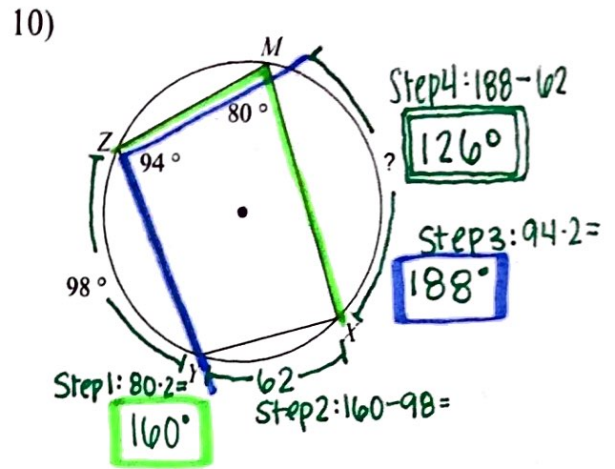
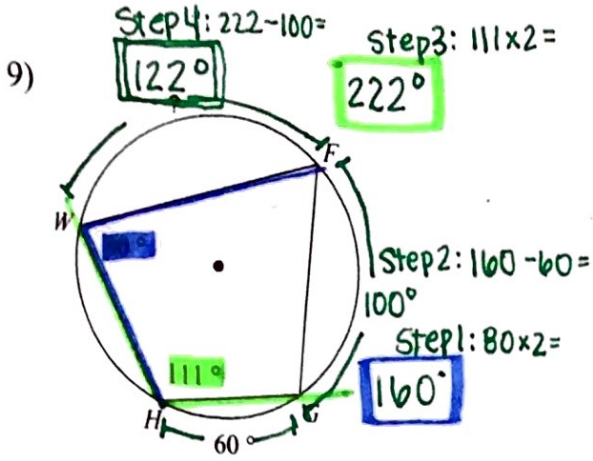


7)



8)





Find the measure of the arc or angle indicated. Assume that lines which appear tangent are tangent.

